

A Division of the Angelus Corporation  
 Ph (262) 246-0500 Fax (262) 246-0450 www.picwire.com  
 PO Box 330 Sussex, WI 53089

Approved : 

Date : 09/11/02

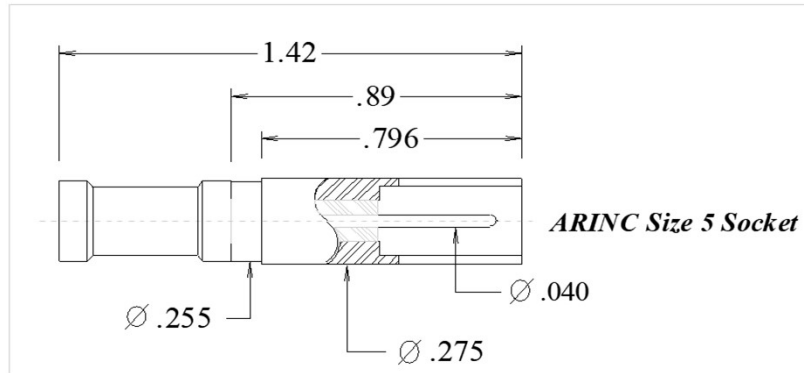
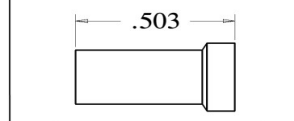
Rev : 5 (09/07/18)

Distribution : USER

Uncontrolled if Printed

**ARINC SIZE 5 SOCKET CONTACT**

for V75268, V76261, V73263

**Optional Crimp Ferrule****PERFORMANCE**

Nominal Impedance	50 Ohms
Frequency Range	0 - 2 GHz
Voltage Rating	325 V(rms)
Insulation Resistance	5000 Megohms
Dielectric Withstanding Voltage	750 V(rms)
VSWR (Max)	1.5:1
Insertion Loss (Max)	0.3 dB

**CONNECTOR WEIGHT (Each)**

0.25 ounces (7.09 grams)

**RoHS COMPLIANT**

Complies to RoHS Standards

**INSTALLATION (Tooling)****Center Contact**

M22520 / 2 - 01 Tool,  
 Selector Dial @ # 6  
 Recommended Positioner :  
 PIC # 110256 (Daniels # K1447)

**Weatherproofing Crimp Ferrule**

M22520 / 5 - 01 Tool,  
 PIC 190818 Hex Crimp Die  
 (.186/.222 hex)

**Optional Crimp Ferrule**

M22520 / 5-01 Tool,  
 \*MIL Spec M22520 / 5-41  
 (.178 "B" hex)

**CONSTRUCTION****Materials:**

Body	Beryllium Copper, ASTM-B196, Alloy UNS C17300
Center Contact	Brass, ASTM-B16, Alloy UNS 36000, H02
Ferrule	Brass, ASTM-B16, Alloy UNS 36000, Dead Soft, Weatherseals included
Dielectric	TFE Fluorocarbon, ASTM-D1710, Type 1, Grade 1

**Finish :**

Body, Ferrule	Gold
Center Contact	Gold

**APPLICABLE STANDARDS**

ARINC 404 / 600

**Notes :**

- 1) Please refer to T-1907XX Termination Instruction sheet for strip dimensions & instructions.
- 2) Removal Tool P/N M81969/28-01

\* Note - MIL Spec die to be used on smaller diameter area of "optional" crimp ferrule only. Not the larger "Bell" area on end.