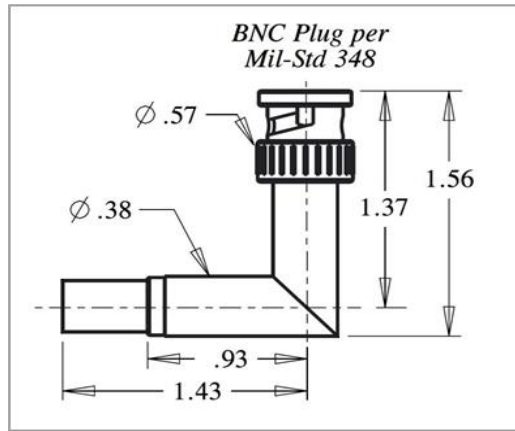


PIC Wire & Cable	Connector Specification	P/N 150513-L
<i>A Division of the Angelus Corporation</i> Ph (262) 246-0500 Fax (262) 246-0450 www.picwire.com N220 W1051 Springdale Road, Waukesha, WI 53186	Approved : <i>JDA</i>	Date : 06/21/19
	Distribution : USER	Rev. 1 (05/12/22)
		Uncontrolled if Printed

BNC (50 Ohm) 90° Plug, Ext. Length
for UH67163



Features Not Shown : Gasket in Front

PERFORMANCE

Nominal Impedance	50 Ohms
Frequency Range	0 - 4 GHz
Voltage Rating	500 V(rms)
Insulation Resistance	5000 Megohms
DWV	1500 V(rms)
VSWR (max)	1.3:1
Insertion Loss (max)	0.34 dB max @ 4 GHz
Insertion Loss	0.17 $\sqrt{F(\text{GHz})}$

CONNECTOR WEIGHT (Each)

1.03 ounces (29.26 grams)

RoHS COMPLIANT

Complies to RoHS Standards

INSTALLATION

Center Contact

Solder Only

Crimp Ferrule

M22520 / 5-01 Tool
 M22520 / 5-41 Die Set
 (.290" A hex)

CONSTRUCTION

Materials:

Body	Brass, ASTM-B16, Alloy UNS 36000, H02
Cable Contact	Beryllium Copper, ASTM-B196, Alloy UNS C17300
Outer Contact	Beryllium Copper, ASTM-B196, Alloy UNS C17300
Connector Contact	Brass, ASTM-B16, Alloy UNS 36000, H02
Ferrule	Tellurium Copper, ASTM-B301, C14500, H02 OR Copper, ASTM-B152, Alloy C12200
Dielectric	TFE Fluorocarbon, ASTM-D1710, Type 1, Grade 1
Gasket	Silicone Rubber

Finish :

Body, Ferrule	Nickel
Center Contact	Gold

APPLICABLE STANDARDS

MIL-STD 348, MIL-PRF-39012

Notes :

1) A 2.0" piece of Raychem ATUM heat shrink
 P/N ATUM-12/3-0 provided with connector for
 purpose of strain relief & moisture protection.

2) Please refer to T-1505XX Termination Instruction
 sheet for strip dimensions & instructions.