

A Division of the Angelus Corporation  
 Ph (262) 246-0500 Fax (262) 246-0450 www.picwire.com  
 N220 W1051 Springdale Road, Waukesha, WI 53186

Approved : **FMB**

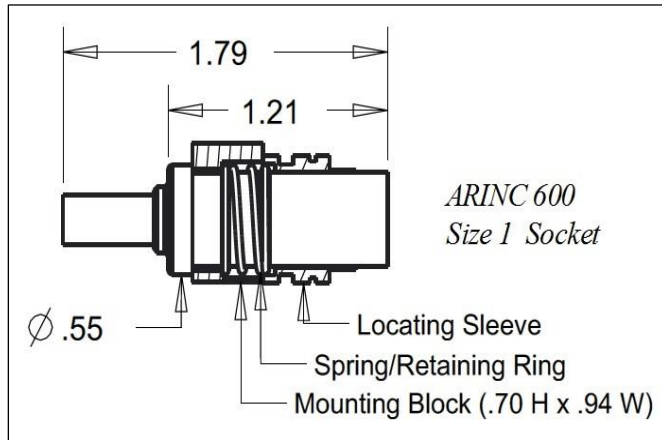
Date : 04/21/17  
 Rev. 1 (09/28/22)

Distribution : USER

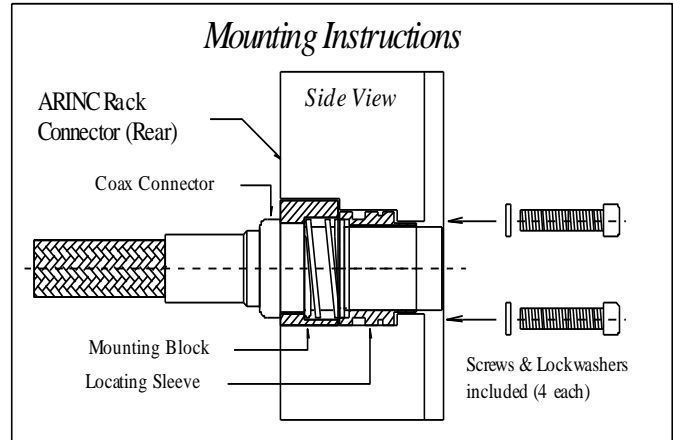
Uncontrolled if Printed

### ARINC 600 Size 1 Socket Contact

for UH44193



Note: Mounting Screws (4 ea) & Lockwashers (4 ea) Included



#### **PERFORMANCE**

Nominal Impedance	50 Ohms
Frequency Range	0 - 5 GHz
Voltage Rating	1000 V (rms)
Insulation Resistance	5000 Megohms

#### **CONNECTOR WEIGHT (Each)**

1.52 ounces (43.21 grams)

#### **RoHS COMPLIANT**

Complies to RoHS Standards

#### **INSTALLATION**

##### **Center Contact**

M22520 / 1-01 Tool  
 Selector Dial Setting #8  
 Positioner : M22520 / 1-09

##### **Crimp Ferrule**

M22520 / 5-01 Tool  
 M22520 / 5-11 Die Set  
 (.213" A hex)

#### **CONSTRUCTION**

##### **Materials:**

Body	Brass, ASTM-B16, Alloy UNS 36000, H02
Center Contact	Beryllium Copper, ASTM-B196, Alloy UNS C17300
Cable Contact	Brass, ASTM-B16, Alloy UNS 36000, H02
Ferrule	Brass, ASTM-B16, Alloy UNS 36000, Dead Soft, Or Tellurium Copper, ASTM-B301, C14500, H02
Dielectric	TFE Fluorocarbon, ASTM-D1710, Type 1, Grade 1
Spring, Retaining Ring	Stainless Steel
Mounting Block	Aluminum, Alloy 6061 T6

##### **Finish :**

Body, Ferrule	Gold
Center Contact	Gold
Spring, Retaining Ring	Passivated
Mounting Block	Iridite

#### **APPLICABLE STANDARDS**

ARINC 600

##### **Notes :**

- 1) A 1.5" piece of Raychem ATUM heat shrink P/N ATUM-12/3-0 provided with connector for purpose of strain relief & moisture protection.
- 2) Please refer to T-1501XX Termination Instruction sheet for strip dimensions & instructions.