

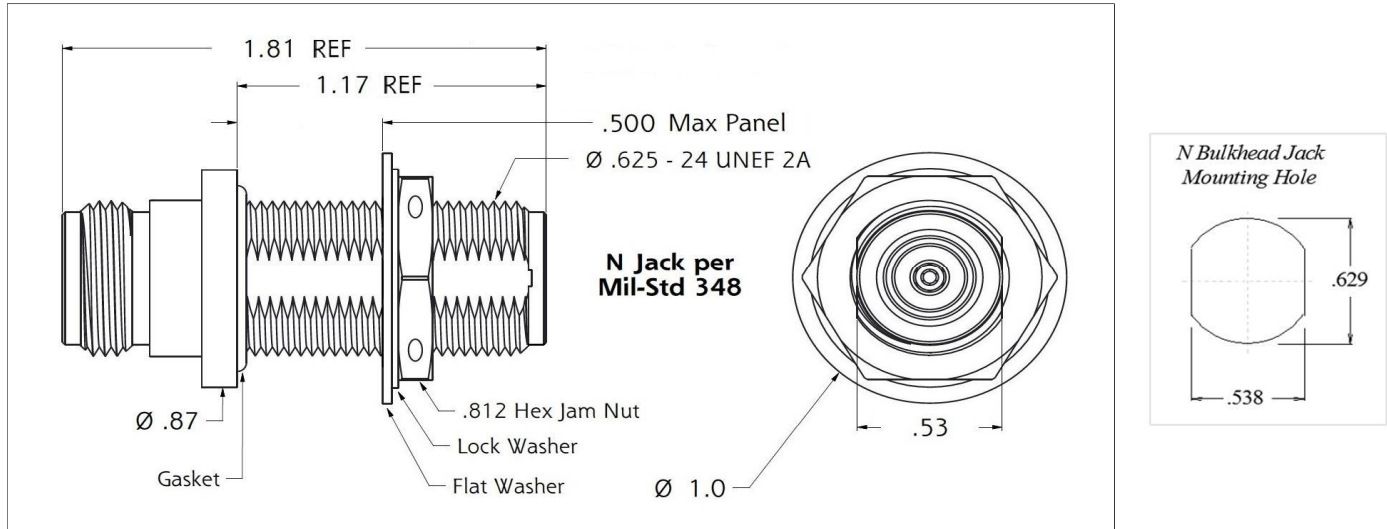
PIC Wire & Cable**Connector Specification****P/N 111039**

A Division of the Angelus Corporation
 PH 262-246-0500 Fax 262-246-2450 www.picwire.com
 PO Box 330 Sussex, WI 53089

Approved : *MCT*
 Distribution : USER

Date : 08/17/17
 Rev. 0
 Uncontrolled if Printed

**N Jack to Jack Bulkhead Adapter, Extended Length, 18 GHz, Sealed,
 Jam Nut w/ safety wire holes & Flat Washer**

**PERFORMANCE**

Impedance :	50 Ohms nom.
Frequency Range :	0 - 18 GHz
Voltage Rating :	1000 V (rms)
Insulation Resistance :	5000 Megohms min.
Insertion Loss :	.06 $\overline{F(\text{GHz})}$ nom
VSWR :	1.25:1 max @ 18 GHz
Power Rating :	425 Watts @ 18 GHz
Temperature Rating :	-65 to +165 deg C
Seal Rating :	
Contact to Body :	1×10^{-7} atm cm ³ /s
Body to Panel :	1×10^{-7} atm cm ³ /s
(Gasket)	

CONNECTOR WEIGHT

2.05 ounces (58.15 grams)

RoHS COMPLIANT

Complies to RoHS Standards

CONSTRUCTION***Materials:***

Connector Body :	Stainless Steel
Jam Nut, Lock & Flat Washer :	Stainless Steel
Center Contact :	Beryllium Copper
Dielectric :	TFE Fluorocarbon
Gasket :	Silicon Rubber

Finish :

Body, Jam Nut :	Passivated
Center Contact :	Gold

APPLICABLE STANDARDS

MIL-STD-348, MIL-PRF-55339

INSTALLATION

Recommended Jam Nut Torque - 35 to 40 in. lbs.