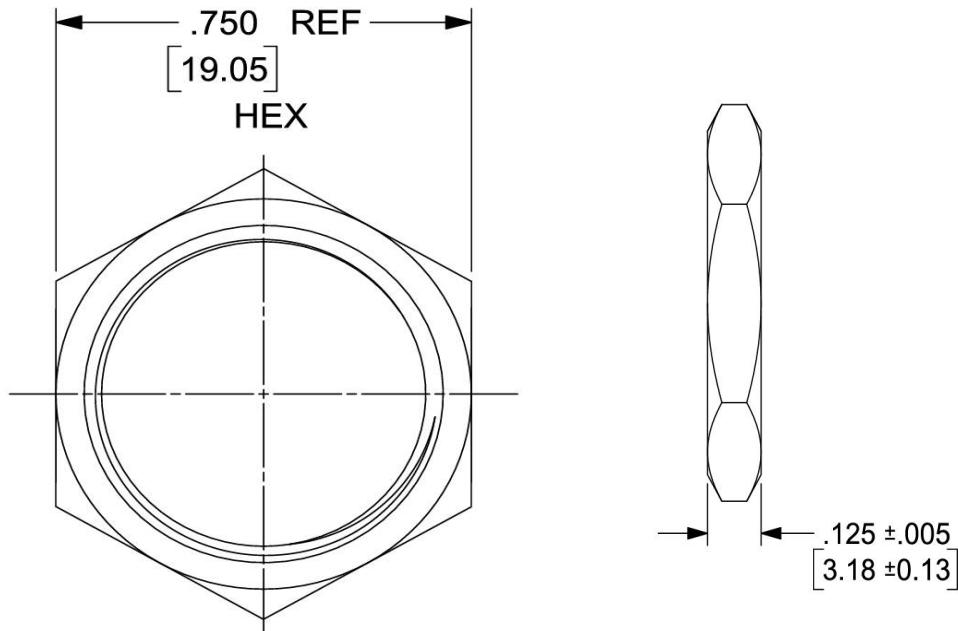


PIC Wire & Cable	Specification	P/N 111025
A Division of the Angelus Corporation Ph (262) 246-0500 www.picwire.com PO Box 330 Sussex, WI 53089	Approved : <i>M.E.J.</i>	Date : 03/24/17
	Distribution : USER	Rev. 0 Uncontrolled if Printed

Jam Nut

Used on PIC 50 Ohm RF Adapter P/N 190013

(Note: Drawing is not to scale)



CONSTRUCTION

Brass, ASTM-B16
Alloy UNS 36000

Plating - Nickel
(100 micro-in, min)

RoHS COMPLIANT

Complies to RoHS Standards