

A Division of the Angelus Corporation  
 Ph (262) 246-0500 Fax (262) 246-0450 www.picwire.com  
 N220 W1051 Springdale Road, Waukesha, WI 53186

Approved :

JWS

Date : 04/14/16

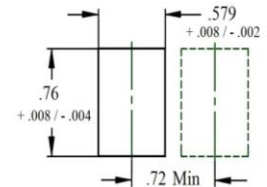
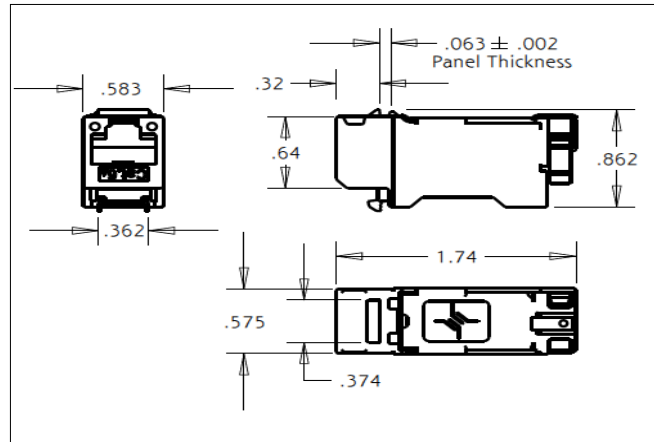
Rev. 2 : (10/11/22)

Distribution : User

Uncontrolled if Printed

**RJ45 Panel Jack (Shielded Cat 6a)**

For 22/26 AWG conductors with an insulation OD range of .035" - .063"  
 (For ANSI/TIA/EIA 568A Pin-Out Termination Only)

**PERFORMANCE**

Exceeds ANSI/TIA/EIA Cat 6a

Current / Voltage: 1.0 Amps @ 30 VAC / 42 VDC

Contact Resistance: 20 milliOhms Max

**ENVIRONMENTAL**

Temperature Rating -40° C to +85° C

Insertion / Extraction 750 cycles Min

**CONNECTOR WEIGHT (Each)**

.90 ounces (25.5 grams)

**RoHS COMPLIANT**

Complies to RoHS Standards

**REQUIRED TOOLING (2)**

PIC 110701 Soft Jaw Clamping Pliers

Note : Similar Soft Jaw Pliers can be used

**Notes :**

- 1.0" pieces of Raychem ATUM heat shrink  
P/N ATUM-12/3-0 & 8/2-0 provided with connector
- Please refer to T-110939-01 or T-110939-QX  
Termination Instruction sheet for strip dimensions & instructions.

**CONSTRUCTION****Materials:**

Jack Housing	Zinc diecast
Contacts	Spring Steel
Snap-in Hook	Stainless Steel
Wire Load Bar, Insulators	Polybutylene Terephthalate
PCB	FR4
IDC Contacts	Silicon Bronze
Shield	Nickel Silver
Cable Ties	Nylon, UL94 V2
Strain Relief	ATUM Dual Wall Heat Shrink (MIL-DTL-23053/4, Class 3)

**Finish :**

Jack Housing	Nickel
Contacts	Gold
IDC Contacts, PCB	Tin

**APPLICABLE STANDARDS**

ANSI/TIA-1096-A  
 ANSI/TIA/EIA 568-C.2