


A Division of the Angelus Corporation
 Ph (262) 246-0500 Fax (262) 246-0450 www.picwire.com
 PO Box 330 Sussex, WI 53089

Approved : 

Date : 02/03/21

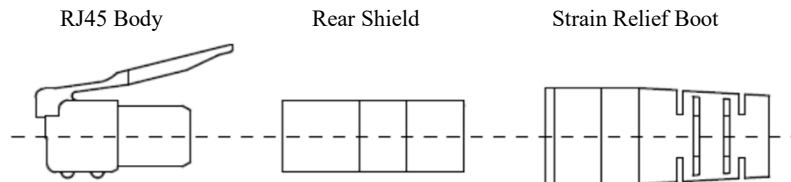
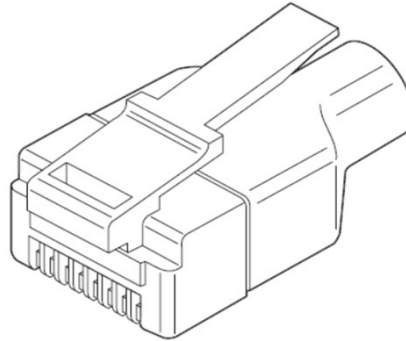
Rev : 0

Distribution : User

Uncontrolled if Printed

RJ45 Ethernet Plug, CAT 5e

(For PIC Cables E10424/E40424 - Supplied with Black Strain Relief Boot)



PERFORMANCE

Exceeds ANSI/TIA/EIA Cat 5e

Current / Voltage: 1.5 Amps @ 30 VAC / 42 VDC

Contact Resistance: 20 milliOhms max

ENVIRONMENTAL

Temperature Rating: -40° C to +60° C

Insertion / Extraction: 750 cycles min.

CONNECTOR WEIGHT

0.14 ounces (3.97 grams)

RoHS COMPLIANT

Complies to RoHS Standards

REQUIRED TOOLING

Crimp Tool P/N 110244

Insulation Compression Tool PN 190048

CONSTRUCTION

Materials:

Plug Body Polycarbonate, UL 94V-2

Contacts Phosphor Bronze

Rear Shield Copper Alloy

Strain Relief Boot Thermoplastic Rubber

Finish :

Contacts Gold

Rear Shield Bright Tin

APPLICABLE STANDARDS

ANSI/TIA-1096-A

ANSI/TIA/EIA 568-C.2

Notes :

1) Please refer to T-110243 Termination Instruction sheet for strip dimensions & instructions.